

HEAVY-DUTY DIFFERENTIAL

# MARKSMAN 25



Water proof

Dust proof

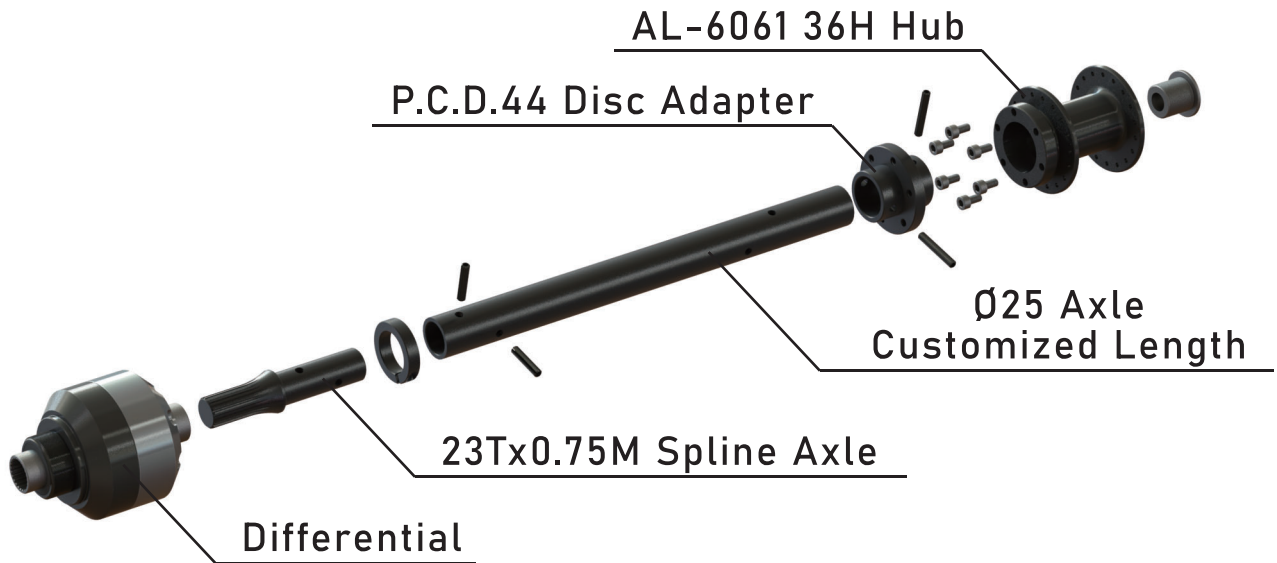


P.C.D.44  
Chaining



Single speed  
flywheel

## WHEEL CONNECTION



BODY MATERIAL	CNC AL-6061 / SCM440
SURFACE	Anodize
	Manganese phosphate coating
THE RATED LOAD	300 Kilogram
GEAR	Helical Bevel Gear
SIZE	Ø74mm×102mm